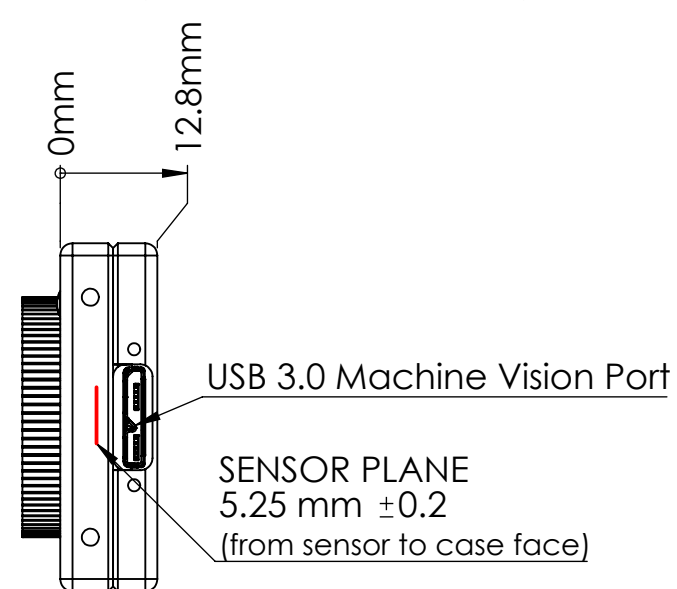
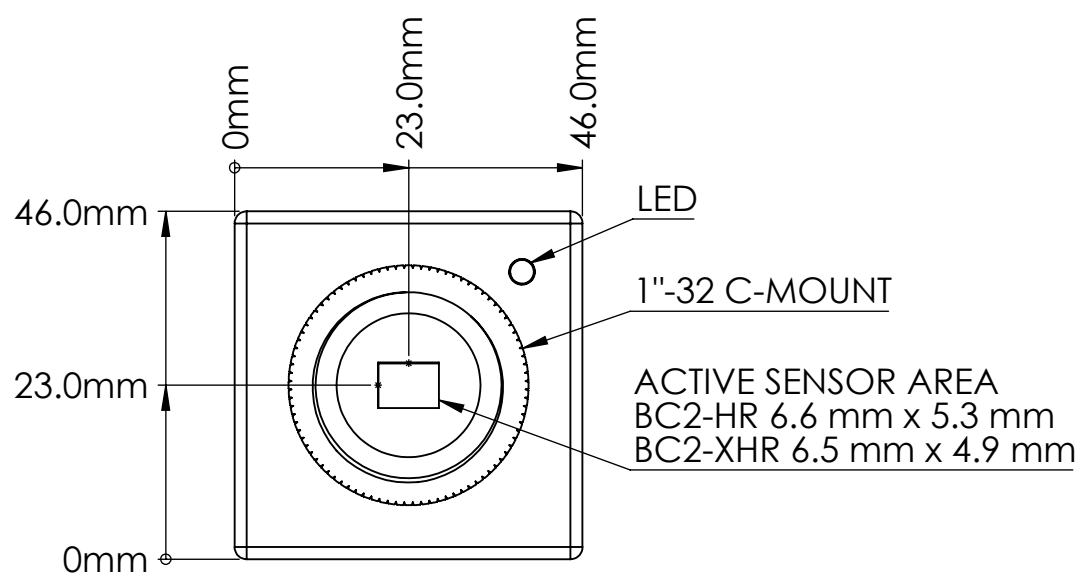


6 5 4 3 2 1

D

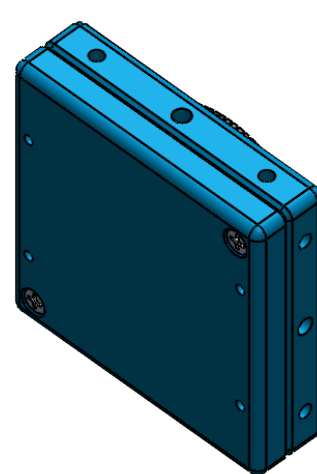
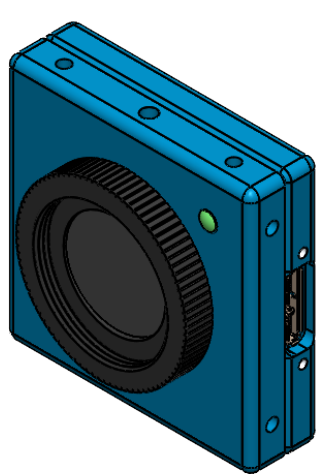
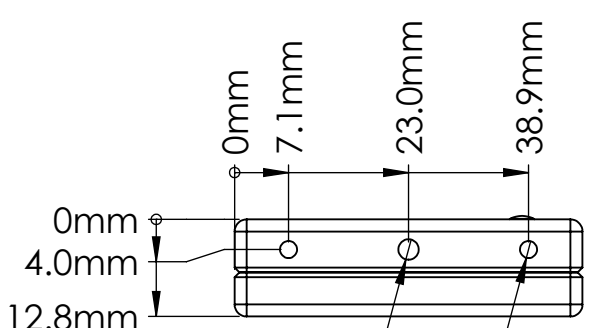


D

C

C

B




B

A

A

3 x #6-32
DEPTH 7.0mm

8 x #4-40
DEPTH 4.0mm

UNLESS OTHERWISE SPECIFIED:		COMMENTS:			
DIMENSIONS ARE IN MM TOLERANCES: LINEAR: ± 0.05 ANGULAR: ± 0.05					
MATERIAL	CASES: ANODIZED 6061-T6 ALUMINUM	DRAWN	NAME AVP	DATE	1/16/2024
FINISH		CHECKED		TITLE:	BladeCam2 Outline & Mounting
		ENG APPR.		SIZE	A
		MFG APPR.		DWG. NO.	BC2-O&M
				REV	01
DO NOT SCALE DRAWING		Q.A.		1:2	WEIGHT:
				SHEET 1 OF 1	

THE INFORMATION CONTAINED IN THIS DRAWING IS THE SOLE PROPERTY OF DATARAY INC. ANY REPRODUCTION IN PART OR AS A WHOLE WITHOUT THE WRITTEN PERMISSION OF DATARAY INC. IS PROHIBITED.

6 5 4 3 2 1